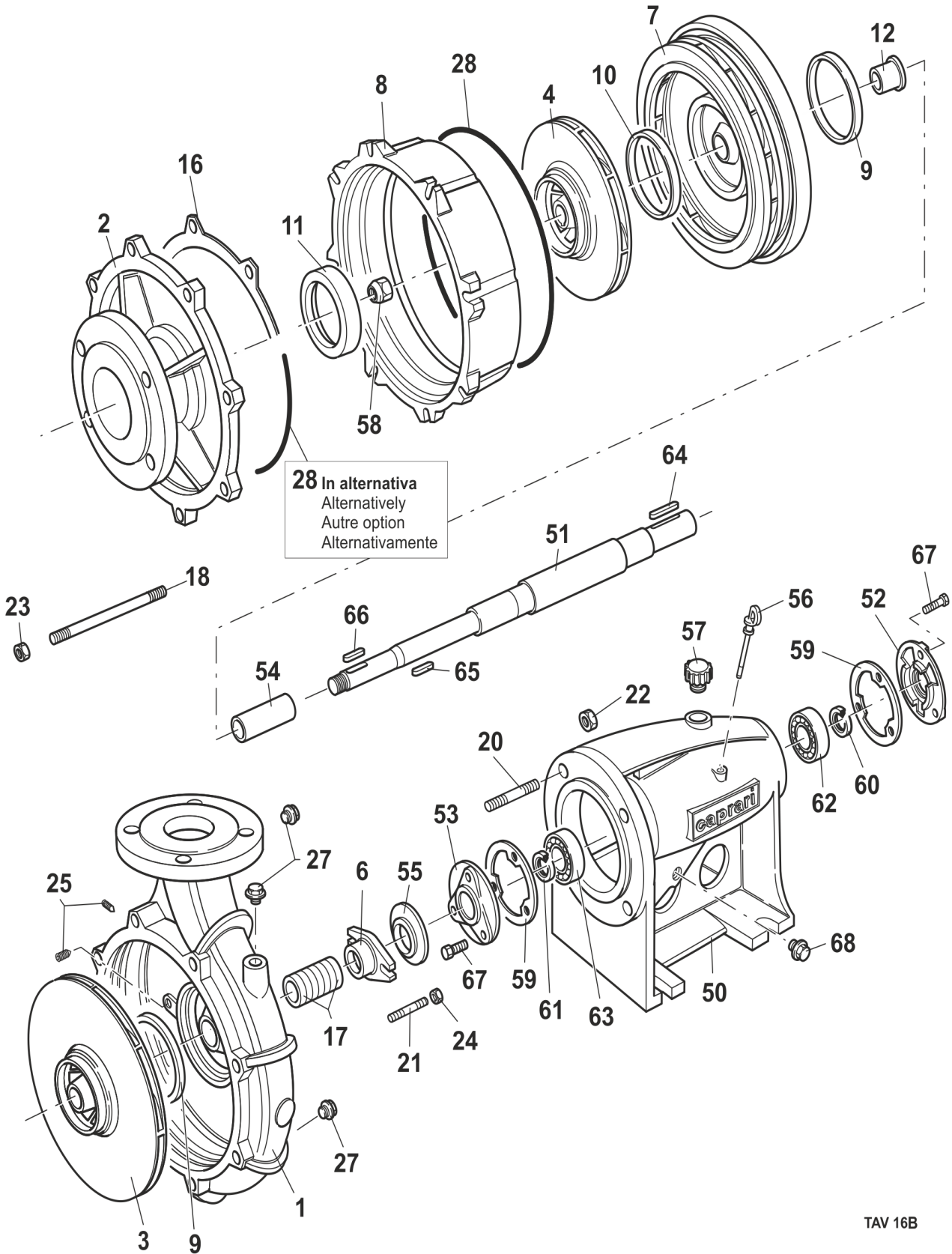


780863 - MEC-MR100/2A HORIZONTAL PUMP



COMPONENTS LIST

Pos.	Code	Serial N°	Description	Qty
1	400103	MEC100/420-1	DELIVERY CASING	1 PZ
2	400400	MEC100/420-3	SUCTION COVER	1 PZ
3	400817	MEC100/420-5A	IMPELLER D.420	1 PZ
4	400827	MEC100/331-5A	IMPELLER D.330	1 PZ
6	410634	MEC100/420-8	STUFFING BOX	1 PZ
7	430388	MECM100-73	DIFFUSER	1 PZ
8	430391	MECM125-74	STAGE CASING	1 PZ
9	440540	MEC100/420-165A	WEAR RING	2 PZ
10	440540	MEC100/420-165A	WEAR RING	1 PZ
11	440541	MEC100/420-165B	WEAR RING	1 PZ
12	410717	MECM100-10	SPACER SLEEVE	1 PZ
16	330738	MEC125/420-141	GASKET FOR SUCTION COVER	2 PZ
17	330346	MEC100/420-33	PACKING	7 PZ
18	300613	PS01096	SPECIAL STUD M16X164	12 PZ
20	300380	PN0721	STUD M20(6G/6G)X45 UNI 5909-5.8	4 PZ
21	300398	PN02011	STUD M12(6G/6G)X65 UNI5909	2 PZ
22	310034	DN0723	NUT M20 UNI 5588-6S	4 PZ
23	310031	DN0724	NUT M16 UNI 5588-6S	12 PZ
24	310203	DN01435	NUT M12 UNI5588-A2	2 PZ
25	300760	GC0726	DOWEL M14X16 UNI 5923-12.9	2 PZ
27	310714	TF01304	PLUG 3/8"GAS CONICAL (AFL N.290/292)	3 PZ
28	330471	OR0897	OR SEAL 430,66X3,53 OR41700(AP)	1 PZ
50	440807	MEC4A-178	PEDESTAL	1 PZ
51	411167	MEC4AMR/2-1007	PUMP SHAFT + CSN L.851	1 PZ
62	350085	CSN01299	BEARING 3211/C3 (N.14 BALLS)	1 PZ
63	350115	CSN0851	BEARING 3309/C3 (N.12 BALLS)	1 PZ
52	410680	MEC4AC-9	BEARING COVER	1 PZ
53	410673	MEC4A-9	BEARING COVER	1 PZ
54	410863	MEC4AU-220	SHAFT SPACER SLEEVE	1 PZ
55	310837	MEC100/420-18	DEFLECTOR	1 PZ
56	310818	MEC4A-26	OIL DIPSTICK	1 PZ
57	310743	MEC1A-28	OIL FILTER PLUG	1 PZ
58	330134	DS02311	NON-STANDARD NUT M27X2X22.5 UNI7474	1 PZ
59	330826	MEC4A-146	GASKET FOR FLANGE	2 PZ
60	330291	AT01356	SEAL RING 55x70x8	1 PZ
61	330261	AT01799	SEAL RING 45x65x8	1 PZ
64	310495	LCH01633	FEATHER KEY A14X9X90 UNI6604-C50	1 PZ
65	310454	LCH0718	FEATHER KEY A10X8X40 UNI6604-C50	1 PZ
66	310454	LCH0718	FEATHER KEY A10X8X40 UNI6604-C50	1 PZ
67	300080	VTE0119	SCREW M10X25 UNI5739-8.8	6 PZ
68	310714	TF01304	PLUG 3/8"GAS CONICAL (AFL N.290/292)	1 PZ